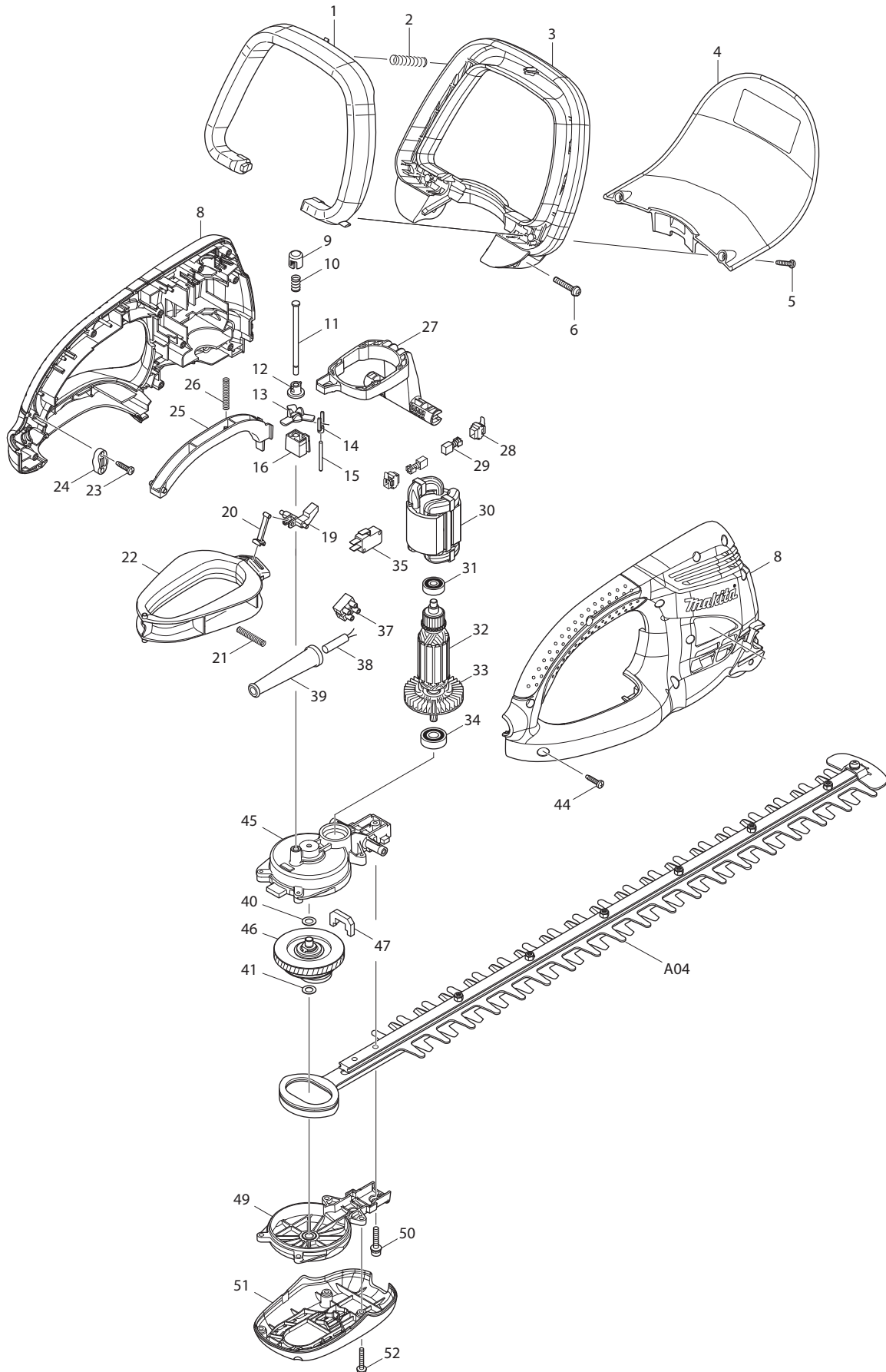




10 - 2010

UH6570

25-1/2" HEDGE TRIMMER



Item No	Type	Sub	Part No	Description	Qty	Unit
001			450444-8	SWITCH LEVER B	1	PC.
002			233157-4	COMPRESSION SPRING 9	1	PC.
003			450442-2	FRONT GRIP	1	PC.
004			158912-2	PROTECTOR COMPLETE	1	PC.
005			265995-6	TAPPING SCREW 4X18	2	PC.
006			911253-5	PAN HEAD SCREW M5X30	2	PC.
008			188567-9	HOUSING SET	1	SET
009			417740-7	INSULATION CAP	1	PC.
010			233288-9	COMPRESSION SPRING 8	1	PC.
011			268077-3	PIN 5	1	PC.
012			417727-9	CAP HOLDER	1	PC.
013			417736-8	LIFTER	1	PC.
014			417735-0	PUSHER CAP	1	PC.
015			268237-7	ROD 3	1	PC.
016			417781-3	PIN HOLDER	1	PC.
019			417737-6	LINK	1	PC.
020			417739-2	ROD	1	PC.
021			233156-6	COMPRESSION SPRING 5	1	PC.
022			417731-8	SWITCH LEVER C	1	PC.
023			265995-6	TAPPING SCREW 4X18	2	PC.
024			687063-9	CORD CLAMP (STRAIN RELIEF)	1	PC.
025			450443-0	SWITCH LEVER A	1	PC.
026			233156-6	COMPRESSION SPRING 5	1	PC.
027			450488-8	LEVER	1	PC.
028			643935-8	BRUSH HOLDER	2	PC.
029	2		195007-0	CARBON BRUSH CB-407 2PC/SET, W/O ORIGIN	1	SET
030			621731-4	FIELD 115V	1	PC.
031			211027-7	BALL BEARING 627ZZ	1	PC.
032			515736-3	ARMATURE ASSEMBLY 115V	1	PC.
		INC.	---	Item No. 31, 33, 34	1	PC.
033			241850-6	FAN 60	1	PC.
034			211062-5	BALL BEARING 6000ZZ	1	PC.
035	2		650628-0	SWITCH (OLD# 650608-6 - N/L/A)	1	PC.
037			654531-7	TERMINAL BLOCK 2P	1	PC.
038			660293-7	CORD W/PLUG 2P-18-0.475M SJTW	1	PC.
039			682503-2	CORD GUARD 8-90	1	PC.
040			253215-0	FLAT WASHER 8	1	PC.
041			253215-0	FLAT WASHER 8	1	PC.
043			865757-8	NAME PLATE F/UH6570	1	PC.
044			265995-6	TAPPING SCREW 4X18	10	PC.
045			158625-5	GEAR HOUSING COMPLETE	1	PC.
046			158624-7	GEAR COMPLETE	1	PC.
047			443142-1	DUST GUARD	1	PC.
049			158626-3	GEAR HOUSING COVER COMPLETE	1	PC.
050			265182-7	+ PAN HEAD SCREW M5X25	2	PC.
051			450441-4	UNDER COVER	1	PC.
052			911148-2	PAN HEAD SCREW M4X25	4	PC.
100			654069-2	RECEPTACLE	2	PC.
101			654163-0	INSULATED RECEPTACLE 1.25-250A	2	PC.
102			654207-6	RECEPTACLE	1	PC.
103	1		158932-6	WARNING CARD COMPLETE	1	PC.
	2		144843-1	WARNING CARD COMPLETE	1	PC.

### **ACCESSORIES**

**- See Catalogue or visit [www.makita.ca](http://www.makita.ca) for more accessories -**

A01			194677-2	CORD HOLDER COMPLETE SET	1	SET
A02			158024-1	HOOK COMPLETE	1	PC.

Item No	Type	Sub	Part No	Description	Qty	Unit
A03			450490-1	BLADE COVER, 0.828M	1	PC.
A04			194669-1	SHEAR BLADE ASSEMBLY SET	1	SET
		INC.	264013-7	HEX. LOCK NUT M5-8	7	PC.
		INC.	345205-8	BRUNCH CATCHER	1	PC.
		INC.	911208-0	PAN HEAD SCREW M5X10	1	PC.
		INC.	257766-5	SLEEVE 5	9	PC.
		INC.	265181-9	+TRUSS HEAD SCREW M5X20	7	PC.
		INC.	188605-7	OIL VESSEL 3G, GREASE NA NO.2	1	PC.
A05			194679-8	ARM BAND COMPLETE SET	1	PC.
A06			194681-1	CHIP RECEIVER ASSEMBLY SET	1	PC.
C01			820A32-5	CARTON F/UH6570	1	PC.